

## FEATURES & BENEFITS

### CONSTRUCTION

Made of stainless steel, the cover and linkage resist corrosion and provides long life.

### PROTECTION

Stainless steel dust cover protects eye/face wash as well as bowl from airborne contaminants and dust assuring optimal safety for the user.

## OPTIONS

For more information, visit [www.hawSCO.com](http://www.hawSCO.com) or call (888) 640-4297.



## SPECIFICATIONS

Model 9102 stainless steel dust cover assembly with stainless steel mounting hardware.

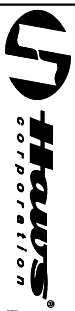
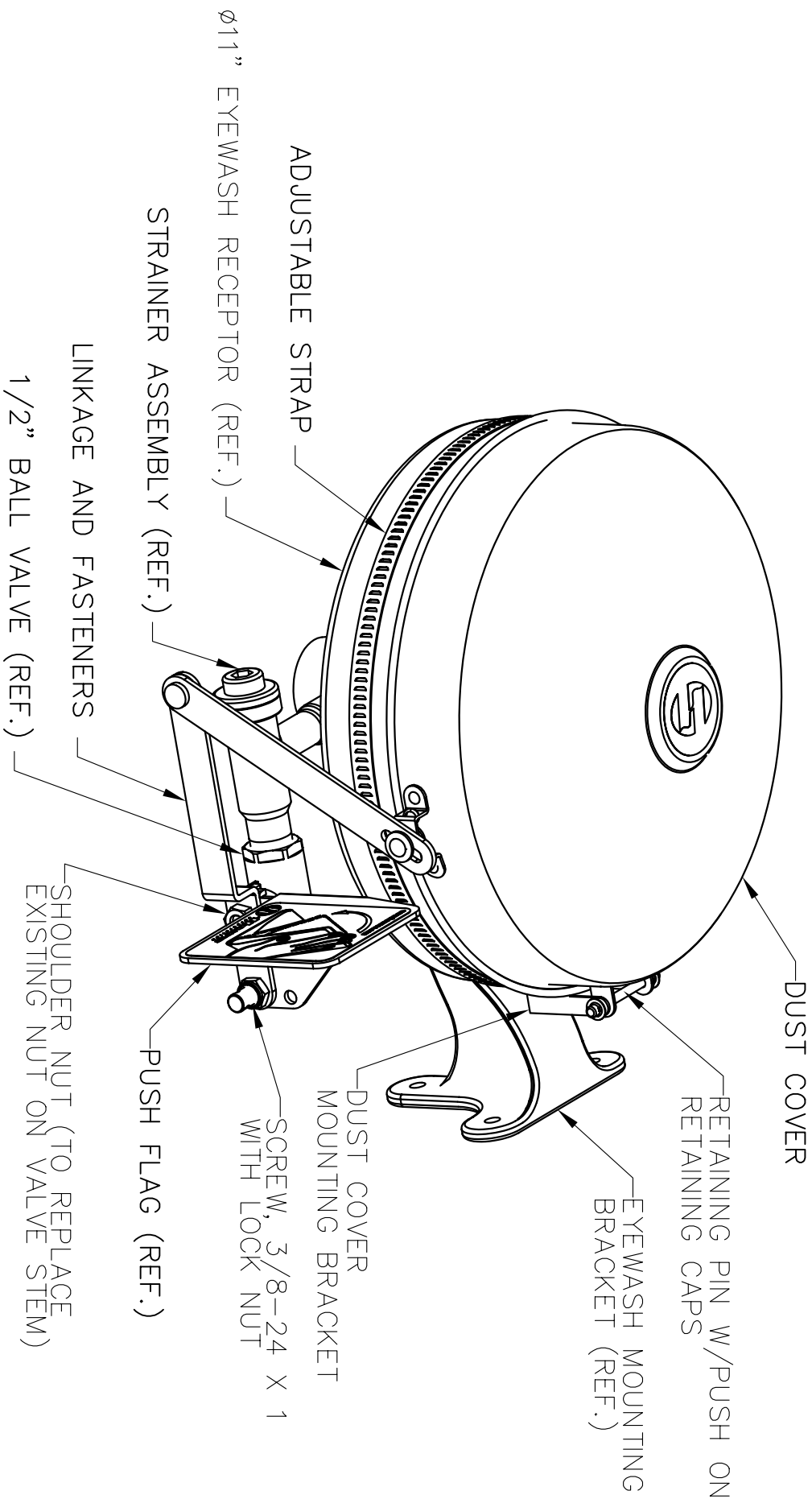
## APPLICATIONS

Specifically, this dust cover can be used with most Haws models that use a SP90 or SP93 eyewash receptor.



# NOTES:

1. EYEWASH RECEPTOR, STRAINER, BALL VALVE, MOUNTING BRACKET, AND PUSH FLAG ARE NOT SUPPLIED AND SHOWN FOR REFERENCE ONLY.



INFO FAX : 1-888-FAX-HAWS (1-888-329-4297)  
 1455 Kleppe Ln, Sparks NV, 89431  
 Phone: 775-359-4712 Fax: 775-359-7424  
 Haws Ag Bohlweg 3 CH-3401 Birsdorf Switzerland  
 Haws Mfg Pte Ltd 74 Sungai Kadut Loop Singapore 729531  
 e-mail: Haws@hawsco.com website: www.hawsco.com

FORM NO.	REVISED PER DATE	MODEL(S)	PART NUMBER
9102	EON: 3/90 HJ DYN: 10/19/02	9102 STAINLESS STEEL DUST COVER	0002080227.D
ISSUED BY	CHKD BY	INFO FAX DOC #	DRAWING NUMBER
10/19/02		29102	0002080227.D
SCALE	1:1	DRAWING TYPE	SIZE A 1 1/2 1